

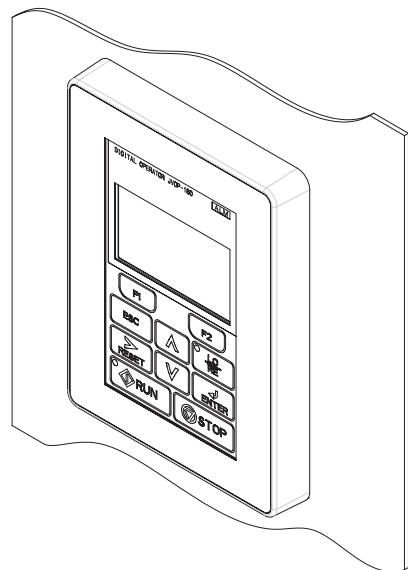
Yaskawa AC Drive - Option

IP65 Mounting Frame for Digital Operator

Technical Manual

Type EUOP-V11001

To properly use the product, read this manual thoroughly and retain for easy reference, inspection, and maintenance. Ensure the end user receives this manual.



MANUAL NO. YEG_JVOP-180/02_EN_v2_0710

1 Precautions

1. Read and understand this manual before using the IP65 mounting frame for digital operator.
2. Do not install the IP65 mounting frame for digital operator in direct sunlight.
3. Install the IP65 mounting frame for digital operator in an environment not exceeding the ambient temperature range of -10 to +50 degree C.
4. Install the IP65 mounting frame for digital operator only on surfaces that are clean and free from grease.

2 Receiving

Please perform the following tasks after receiving the mounting frame:

1. Inspect the mounting frame for damage. If the mounting frame appears damaged upon receipt, contact the shipper immediately.
2. Verify receipt of all components:

Item	Quantity	Description
	1	Plastic cover with Overlay and Gasket
	4	Fixing Screws (M4 x 10)
	1	Manual

3 Product Overview

About this Product

The mounting frame is designed to provide the functionality of the digital operator on an enclosure designed for IP54 or IP65.

Applicable Models

The mounting frame can be used with the digital operator models in following table:

Model	Description
JVOP-180	LCD Digital Operator
JVOP-182	LED Digital Operator

Recommended Connection Cables

In order to connect the digital operator to the drive it is recommended to use following cables. These cables are 8-wire, 1:1 patch cables with RJ45 plugs.

	WV001-YEG	Digital operator cable 1 m:
	WV003-YEG	Digital operator cable 3 m:

Tool Requirements

Tool	Description
Phillips screwdriver	For M4 x 10 mounting screws
Diameter 5 mm drill bit	For M4 x 10 mounting screw holes
Diameter 25 mm hole cutting tool	For diameter 25 mm hole for RJ45 connector

4 Installation Procedure

Mounting Frame Installation

DANGER! Electrical Shock Hazard: Do not connect or disconnect wiring while the power is on. Failure to comply will result in death or serious injury. Before servicing disconnect all power to the equipment. The internal capacitor remains charged even after the power supply is turned off. The drive's charge indicator LED will extinguish when the DC bus voltage is below 50 Vdc. To prevent electric shock, wait at least five minutes after all indicators are OFF and measure the DC bus voltage level to confirm safe level.

1. Turn off power to the drive wait for 5 minutes for capacitor discharge.
2. Unpack and verify the contents of the IP65 Mounting Frame for digital Operator pack.
3. Drill the holes at the desired location on the panel as shown in Figure 1. Use the 1:1 cutout template on the back of this document.
4. After drilling the holes must be carefully de-burred to ensure the integrity of the IP seal. When drilling and de-burring ensure shrapnel is diverted from all electrical components.

Note: Note that at least 8 cm clearance is required behind the operator mounting frame to allow for cable routing.

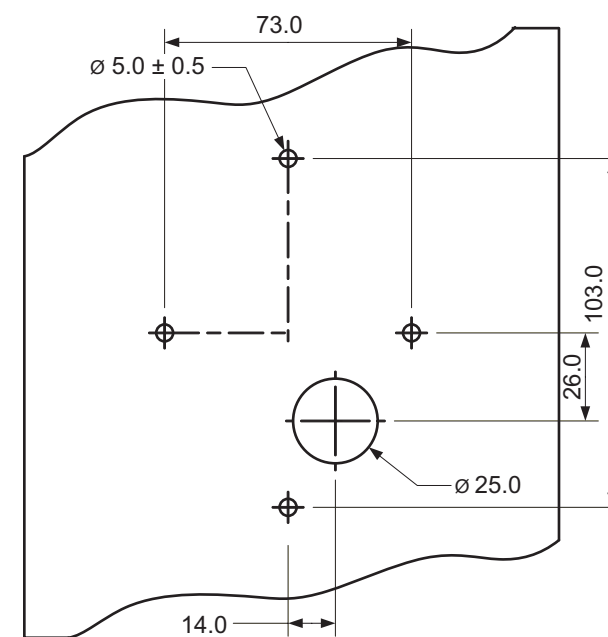


Figure 1 Cutout Drawing

5. Insert the digital operator into the housing and position the assembly over the panel holes and fix from inside the panel using the fixings provided as shown in Figure 2. Tighten the screws in a cross-like pattern with a torque of 1.3 Nm.

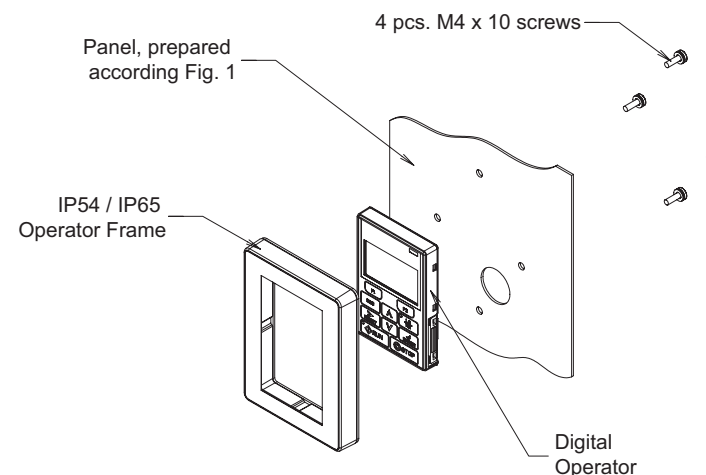


Figure 2 Mounting the Operator Frame

Note: Take care to eliminate all air bubbles between the operator and the overlay when fixing.

6. Plug one end of the digital operator cable to the female RJ45 connector on the backside of the digital operator. Plug the other end of the digital operator cable to the female connector on the front of the drive.

Note: To access the connector on the A1000 based drives (for example A1000 or L1000A) the included operator has to be removed.

7. Secure the loose cable to the enclosure and protect the cable from sharp edges or from being pinched in the enclosure door. Make sure that opening and closing the enclosure door does not strain the cable or connections.

Yaskawa AC Drive - Option

IP65 Mounting Frame for Digital Operator

Technical Manual

EUROPEAN HEADQUARTERS
 YASKAWA EUROPE GmbH
 Hauptstr. 185, 65760 Eschborn, Germany
 Phone: +49 (0)6196 569 300 Fax: +49 (0)6196 569 398
 E-mail: info@yaskawa.eu.com Internet: http://www.yaskawa.eu.com

YASKAWA ENGINEERING EUROPE GmbH
 Hauptstr. 185, 65760 Eschborn, Germany
 Phone: +49 (0)6196 569 520 Fax: +49 (0)6196 569 598
 E-mail: service@yaskawa.de Internet: http://www.yaskawa-eng.eu.com

U.S.A.
 YASKAWA AMERICA, INC.
 2121 Norman Drive South, Waukegan, IL 60085, U.S.A.
 Phone: (800) YASKAWA (927-5292) or +1 847 887 7000 Fax: +1 847 887 7310
 Internet: http://www.yaskawa.com

JAPAN
 YASKAWA ELECTRIC CORPORATION
 New Pier Takeshiba South Tower, 1-16-1 Kaigan, Minatoku, Tokyo, 105-8891, Japan
 Phone: +81 3 5402 4502 Fax: +81 3 5402 4580
 Internet: http://www.yaskawa.co.jp

YASKAWA YASKAWA EUROPE GMBH
 In the event that the end user of this product is to be the military and said product is to be employed in any weapons systems or the manufacture thereof, the export will fall under the relevant regulations as stipulated in the Foreign Exchange and Foreign Trade Regulations. Therefore, be sure to follow all procedures and submit all relevant documentation according to any and all rules, regulations and laws that may apply. Specifications are subject to change without notice for ongoing product modifications and improvements.
 © 2010 YASKAWA EUROPE GMBH. All rights reserved.

5 Cutout Template

CAUTION! Before panel drilling please confirm the dimensions of the paper "panel cut-out". The drawing sizes can be affected by printers and paper shrinkage.

