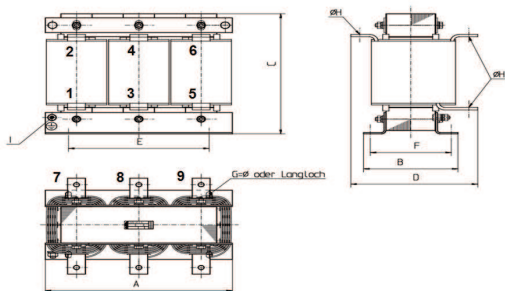


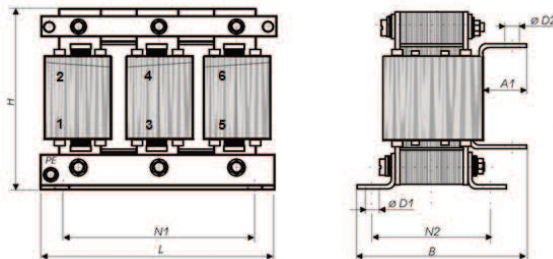
Weitergabe sowie Vervielfältigung dieser Unterlage, Verwertung und Mitteilung ihres Inhaltes sind nur mit unserer Zustimmung gestattet. Alle Rechte vorbehalten.
 Passing on as well as duplication of this document, utilization and report of their contents are permitted only with our agreement. All rights reserved.

Dimension drawing:

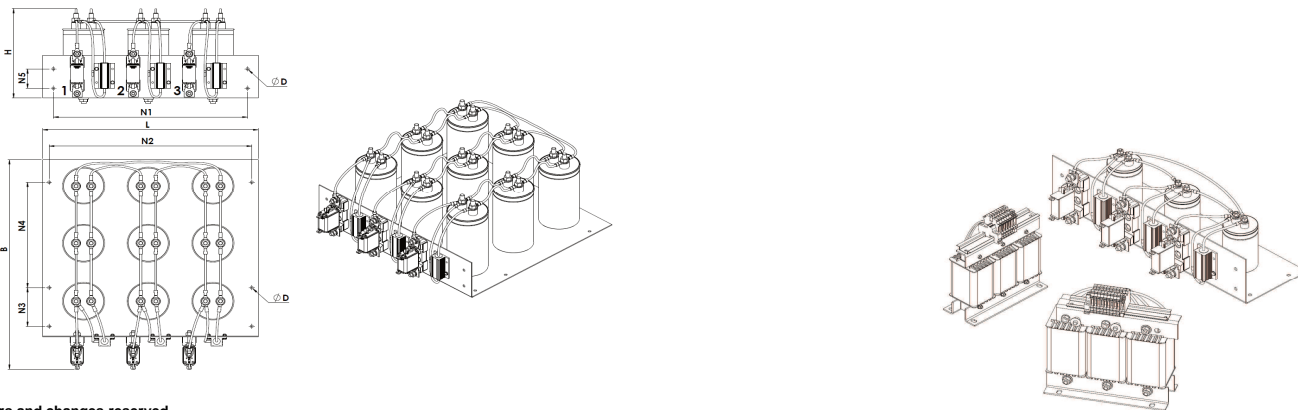
CNW 9039 / 450



CNW 8953 / 185



Capacitors



Errors and changes reserved.

Mechanical Data:

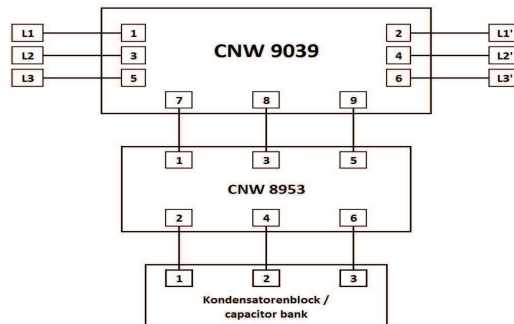
CNW 9039 / 450		CNW 8953 / 185		Capacitors	
Length A	480,0 mm	Length L	420,0 mm	Length L	500,0 mm
Width D	330,0 mm	Width B	220,0 mm	Width B	525,0 mm
Height C	510,0 mm	Height H	365,0 mm	Height H	365,0 mm
Fixing space E	356,0 mm	Fixing space N1	316,0 mm	Fixing space N1	450,0 mm
Fixing space F	214,0 mm	Fixing space N2	158,0 mm	Fixing space N2	485,0 mm
Diameter G	13,0 x 20,0	Fixing space N3		Fixing space N3	100,0 mm
		Diameter D	13,0 x 20,0	Fixing space N4	275,0 mm
				Fixing space N5	50,0 mm
Connection	copper bar 40 x 5 mm	Connection	copper bar 30 x 3 mm	Diameter D	7,0 mm
Total weight	183,0 kg	Total weight	77,0 kg	Total weight	45,0 kg

Tolerance according to ISO2768-1 Tolerance class c.

Electrical Data:

Rated current:	I eff.	450 A	
Voltage:	U	400 V	50Hz
THDI:		≤ 5 %	
cos φ:		> 0,98	
Power losses:	P	2200,0 W	
Thermal class:	F	at 40° C environment	
Derating (I eff):	5,0 %	at 50° C environment	
Climate class:	25/085/21	DIN IEC 68 Part 1	
Protection:	IP00		
Designation:	CE	EN 61558-2-20 - 11/09	

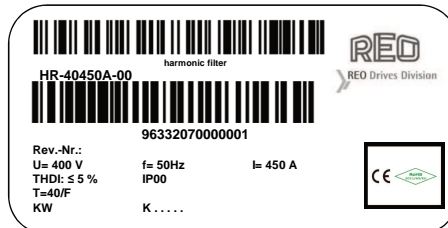
Schematic:



Prüfungen:

Inductance (mH)	Lo (±5%)	bei 100Hz , 1V
Capacity (µF)	Co (±5%)	
High voltage	2,5 kV / 60s	(Winding - Winding)
	2,5 kV / 60s	(Winding - PE)
mechan. dimensions	yes	
Visual inspection	yes	

Label:



Cond.	Date	Name	Amendment
signed			
revised by	13.4.16	Fr	
checked			

Designation:

HR-40450A-00
BV 963320.70-00